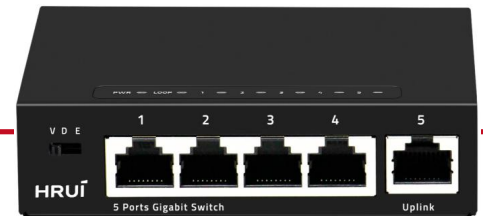


5-Port Gigabit Intelligent Ethernet Switch

HR-SWG1050



www.hruitech.com



CE FC RoHS

The 5-port Gigabit intelligent Ethernet switch adopts high-quality and high-speed network ICs, and this product completely solves the problem of noise of small switches in the office environment through the fanless mute design. This switch has 5 Gigabit RJ45 ports, can provide seamless connection for 10/100/1000M Ethernet, supports three working modes, one-key smart simple switching working mode, easy to manage and maintain, the product can be widely used in Security network video surveillance, hotel, campus, small and medium-sized enterprise network engineering and other occasions.

With simple and convenient installation and maintenance methods and rich business features, it helps users to build a safe and reliable high-performance network. It is mainly located in the core or convergence layer of user networks such as industrial parks, buildings, factories and mines, government agencies, and residential broadband; it can be widely used in Ethernet access scenarios such as small and medium-sized enterprises, Internet cafes, hotels, and schools.

Main Feature

- 5*10/100/1000M RJ45 Ports ;
- Apply to IEEE802.3、IEEE802.3u、IEEE802.3ab standard ;
- Ethernet Port supports 10/100M adaptive ;
- Support port auto flip (Auto MDI/MDIX);
- Panel indicator monitoring status and help failure analysis;
- Support VLAN Mode (Port Isolation), Default Mode and Extend Mode (250meters);
- Flow control, full duplex adopts IEEE802.3x standard, half duplex adopts Backpressure standard;
- Support Loop Alarm.

Application Environment

Metropolitan Optical Broadband Network

Telecommunications, cable TV, network system integration, etc., according to network operators

Broadband Private Network

Applicable to industry, finance, government, petroleum, railway, electric power, public security, transportation, education, etc.

Multimedia Transmission

Comprehensive transmission of images, voice, data, suitable for remote teaching, conference TV, videophone and other applications

Real-time monitoring

Simultaneous transmission of real-time control signals, images and data

General Parameter	
Product Name	5-Port Gigabit Intelligent Ethernet Switch
Product Model	HR-SWG1050
System Architecture	5*RJ45 10/100/1000Mbps Ports
Network Protocol	IEEE802.3 (10Base-T) IEEE802.3u (100Base-TX) IEEE802.3ab (1000Base-TX) IEEE802.3x (Flow control)
DIP	VLAN Function: (Port isolation mode). 1-4 ports are isolated each other, all communicate with uplink port 5.
	Default: (Normal mode), all port can communicate with each other, the transmission distance is within 100 meters, the transmission rate is 10M / 100M adaptive.
	Extend Function: (250meters mode), 1-4 ports support 100M speed reduction negotiation, support 250 meters in 10Mbps/s mode, port 5 as uplink port.
Network Medium	10Base-T : Cat3,4,5 or above UTP(≤100m) 100Base-TX : Cat5 or above UTP(≤100m) 1000Base-TX : Cat5 or aboveUTP(≤100m)
Power Supply	Power Input Voltage : AC 100-240 V Switch Input Voltage: DC 5 V1A
Physical Dimension	Product Size: 100*70*26mm Package Size: 175*120*63mm Product Net-Weight: 0.2kg Product Gross-Weight: 0.4kg
Packing Info	MEAS: 505*320*400mm Packing Qty: 40 unit Packing weight: 17kg

DATA SHEET

Working Environment	Working Temperature: -10~50° C Storage Temperature: -40~70° C Working Humidity : 10%~90%, non-condensing Storage Temperature: 5%~90%, non-condensing Working Height: Maximum10,000 feet Storage heigh: Maximum 10,000 feet
Packing List	1.Ethernet Switch: 1 unit 2.User Manual: 1 unit 3.Warranty Card: 1 unit 4.Power Cord: 1unit
MTBF	100,000 hours
Certification	CE, FCC,RoHs,CCC
Technical Indicators	
Bandwidth	10Gbps
Throughput	7.44Mpps
Packet Buffer	1M
MAC	1K
Jumbo frame	2Kbytes
Forwarding Mode	Store-And-Forward

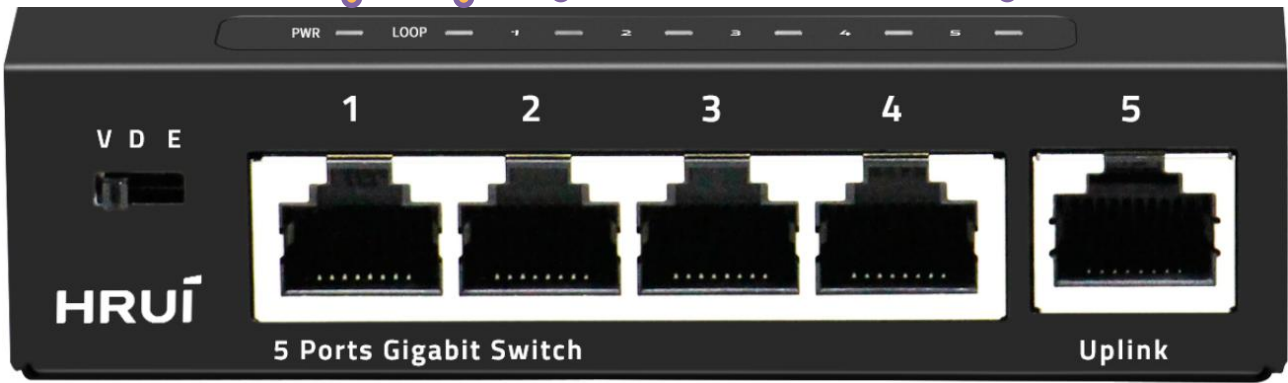
DATA SHEET

Dimension

Lighting: LOOP
Light off: NO LOOP

Lighting: Power on
Light off: Power off

Lighting: Link connected
Flashing: Data transmission
Light off: Link disconnect



DIP Switch
4 Gigabit Ports
1 Uplink

Application

